


PRODUCT SHEET

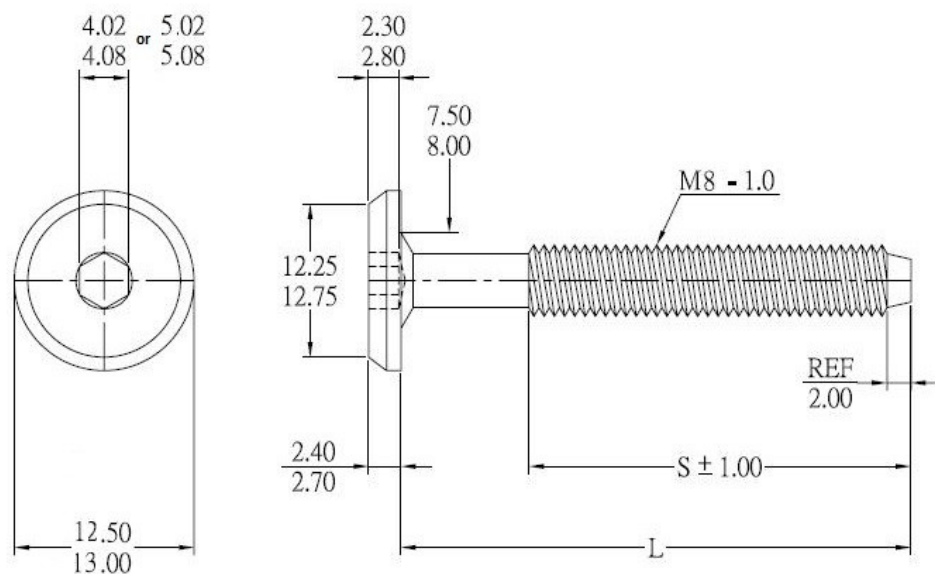
Description:

Fifteen Screw, M8x45mm, YZP, Hex 5mm, Conical, Full Thread

Item number:

12.01.250-0

Units	Box	Carton	HS Code	Barcode
Pcs.	1	1600	7318155898	
				5704866020084



L	M8x45mm (43+2)
L	M8x80mm (78+2)